

## Technical Information

No. FO 4984

Edition: 09/09 - subject to change

Substitutes: Edition 04/08

Status: valid

Mercury Short Arc Lamp  
for PCB exposure

# HBO<sup>®</sup> 3500 W/HK

### ■ Product description

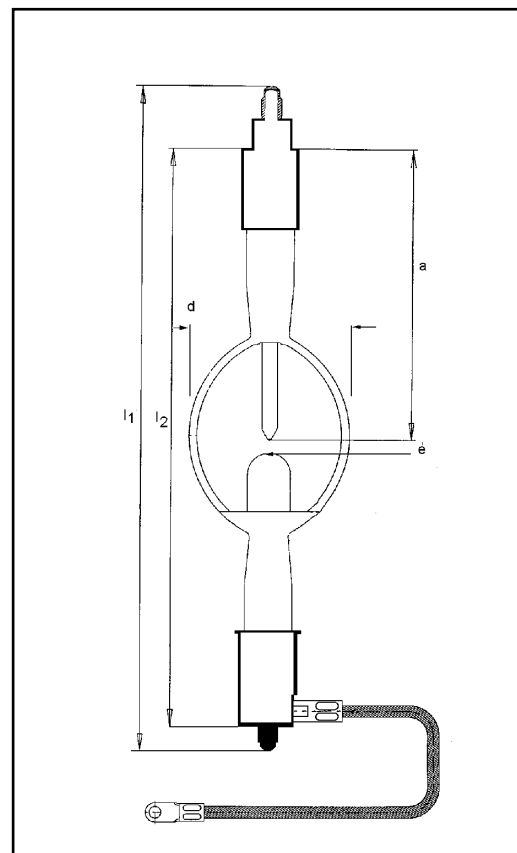
The OSRAM HBO<sup>®</sup> 3500 W/HK is a direct current mercury short arc lamp designed for the manufacture of Printed Board Circuits within Hakuto exposure equipment HAP 3500 and 3510 series. This lamp type emits a very high radiant intensity in the ultraviolet and visible wavelength range.

### ■ Technical data

Order reference	HBO <sup>®</sup> 3500 W/HK	
Rated lamp wattage	W	max. 3.500
Rated lamp voltage	V	55
	A	63,5
Ignition voltage (cold)	kV <sub>S</sub>	max. 20
Radiant intensity (wave length range 365 ± 2,5nm)	mW/sr	---
Electrode gap e (cold)	mm	6.4
Lamp length (overall) l <sub>1</sub>	mm	--- / max. 315
Lamp length l <sub>2</sub>	mm	290 ± 2
Bulb diameter d	mm	70
LCL a	mm	142,7
Average service life	h	1500

Base

- Cathode: SFc 27-14-8/35
- Anode: SFa 27-10/42 with cable connection



### ■ Lamp operation

Maximum permissible base temperature	°C	200
Cooling	forced base cooling	
Burning position	vertical, anode (+) down	

The HBO<sup>®</sup> 3500 W/HK can either be operated on standard ballasts or on electronic power supplies (ECG).

### ■ Safety Instruction

Due to their high luminous efficacy, the UV radiation which they emit and the high pressure within the lamp, HBO<sup>®</sup> lamps must be operated within enclosed, purpose-built housings. When a lamp breaks, mercury is released. Particular safety regulations must be paid attention (for details please request technical information sheet no. FO 4574).